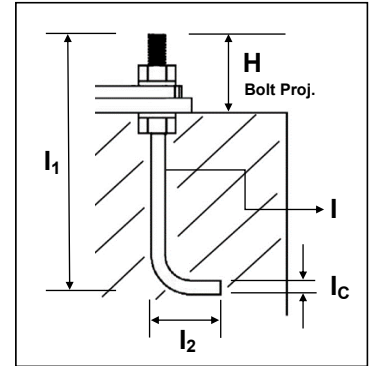
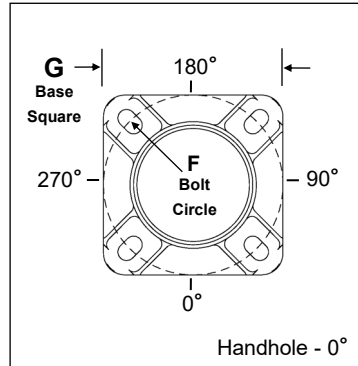
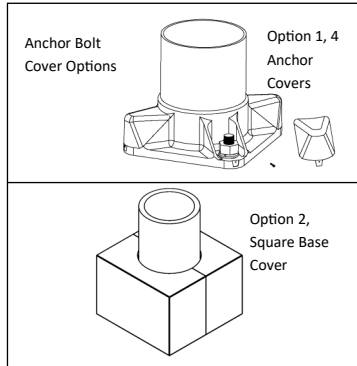
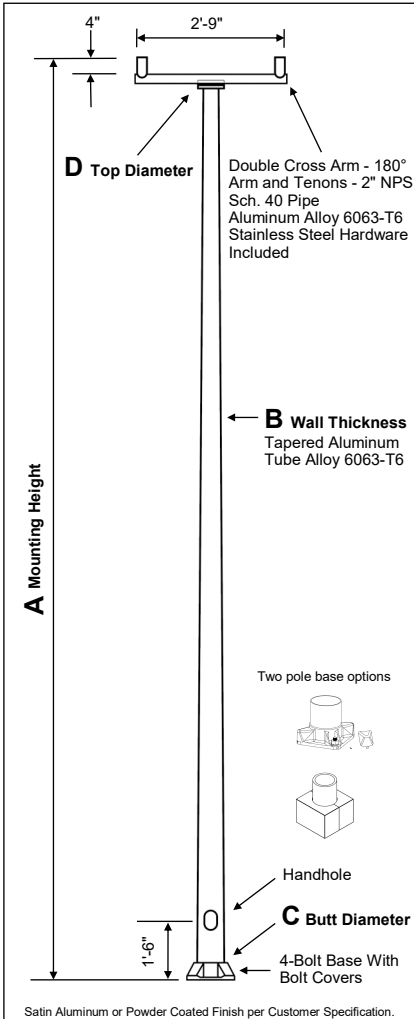


# LED READY ROUND TAPERED ALUMINUM POLES

TWO LED FIXTURES 180  
BLRTA F2 SERIES



C Butt Sq.	D Top Sq.	F Bolt Cir. Dia.	G Base Sq.	H Bolt Proj.	I Bolt Size
6	4.5	9 - 10	9.75	2.75	1 x 36 x 4
7	4.5	10 - 11	10.5	2.75	1 x 36 x 4
8	4.5 & 6	11 - 12	11.25	2.75	1 x 36 x 4
10	6	14 - 15	14	3.25	1 x 48 x 4

A MGT. HGT.	B WALL GAUGE	C BUTT SQ.	TOTAL LUM. WEIGHT	MAXIMUM EPA					PART NO.
				90	100	110	120	130	
20	0.188"	6	60	7.2	5.4	5.0	4.0	3.2	LBRTAF-6201884B2**
25	0.188"	7	60	7.4	5.4	5.0	4.0	3.2	LBRTAF-7251884B2**
30	0.188"	8	60	7.4	5.6	5.0	4.0	3.2	LBRTAF-8301884B2**
35	0.188"	10	95	10.4	8.0	7.4	6.0	4.8	LBRTAF-10351884B2**

## Pole Shaft

Shaft and arm is constructed of seamless extruded tube of 6063 Aluminum Alloy per ASTM B221. The shaft assembly is full-length heat treated after base is welded to produce a T6 temper. Powder coating material is thermosetting polyester powder. A minimum coating thickness of 2.0 mils is maintained for aluminum. Application of powder is electrostatically applied by a closed loop automated powder coating system.

## Finish Options

BM = Dark Bronze Powder Coat, BA = Black Powder Coat, BH = White Powder Coat, BV = Dark Green Powder Coat, GC = Gray Powder Coat

## 4-Bolt Cast Aluminum Base Plate

4-Bolt Cast Aluminum Base Flange of Alloy 356-T6 with Aluminum Bolt Covers (Alloy 356-F) and Stainless Steel Hex Head Attaching Screws.

## Hardware Kits

Include four (4)L-shaped Steel Anchor Bolts conforming to AASHTO M314-90 Grade 55. Ten Inches (10") of threaded end will be galvanized per ASTM A153. Kits will contain four (4) Hex Nuts, four (4) Lock Washers, and four(4) Flat Washers (all components Galvanized Steel). A bolt circle template will be provided.

## Fixture Mounting options

Designed for 2 LED fixtures with slip fitters

## 2 LED FIXTURES 180° MOUNTING

